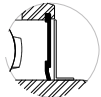


SNCSPM 200

Normal-Duty Pillow Block
Eccentric Lock

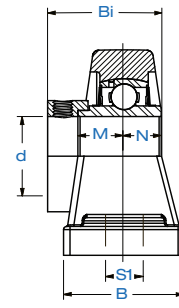
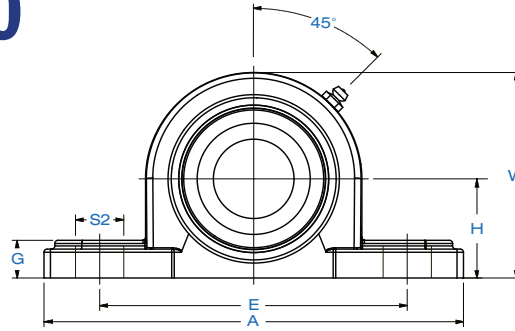
Seal
Styles



Standard Seal
with Flinger



Triple-Lip
L3 Seal



Bearing Number	Shaft Dia.	Dimensions in. mm.											Bolt Used	Load Rating (lbs.)		Bearing Insert	Housing Number	Wt.		
	d in. mm.	H	A	E	B	S2	S1	G	W	Bi	N	M	in. mm.	Dynamic Cr	Static Cor			lbs. kg.		
SNCSPM 201-8	1/2																	SNC 201-8	SPM 204	1.6 0.7
SNCSPM 202-10	5/8	1.313	4.94	3.75	1.46	0.75	0.51	0.59	2.52	1.5472	0.5000	0.6732	3/8	2,331	1,142	SNC 202-10				
SNCSPM 204-12	3/4	33.3	125.5	95.0	37.0	19.0	13.0	15.0	64.0	39.3	12.7	17.1	M10	10.37	5.08	SNC 204-12				
SNCSPM 204	20																	SNC 204		
SNCSPM 205-14	7/8																	SNC 205-14	SPM 205	1.9 0.9
SNCSPM 205-15	15/16	1.438	5.44	4.13	1.48	0.75	0.51	0.63	2.78	1.6220	0.5630	0.6850	3/8	2,542	1,349	SNC 205-15				
SNCSPM 205	25	36.5	138.5	105.0	37.5	19.0	13.0	16.0	70.5	41.2	14.3	17.4	M10	11.31	6.00	SNC 205				
SNCSPM 205-16	1																	SNC 205-16		
SNCSPM 206-17	1 1/16																	SNC 206-17	SPM 206	2.2 1.0
SNCSPM 206-18	1 1/8	1.689	6.46	4.75	1.84	0.83	0.67	0.67	3.27	1.8110	0.6260	0.7165	1/2	3,554	1,942	SNC 206-18				
SNCSPM 206	30	42.9	164.0	121.0	47.0	21.0	17.0	17.0	83.0	46.0	15.9	18.2	M14	15.81	8.64	SNC 206				
SNCSPM 206-19	1 3/16																	SNC 206-19		
SNCSPM 206-20	1 1/4																	SNC 206-20		
SNCSPM 207-20	1 1/4																	SNC 207-20	SPM 207	3.5 1.6
SNCSPM 207-21	1 5/16	1.875	6.56	5.00	1.88	0.83	0.67	0.69	3.66	1.9606	0.6890	0.7402	1/2	4,683	2,626	SNC 207-21				
SNCSPM 207-22	1 3/8	47.6	167.0	127.0	47.5	21.0	17.0	17.5	93.0	49.8	17.5	18.8	M14	20.83	11.68	SNC 207-22				
SNCSPM 207	35																	SNC 207		
SNCSPM 207-23	1 7/16																	SNC 207-23		
SNCSPM 208-24	1 1/2																	SNC 208-24	SPM 208	4.7 2.1
SNCSPM 208-25	1 9/16	1.938	7.19	5.38	2.11	0.83	0.67	0.71	3.92	2.1220	0.7480	0.8425	1/2	5,294	3,057	SNC 208-25				
SNCSPM 208	40	49.2	183.0	137.0	53.5	21.0	17.0	18.0	99.5	53.9	19.0	21.4	M14	23.55	13.60	SNC 208				
SNCSPM 209-26	1 5/8																	SNC 209-26	SPM 209	6.1 2.8
SNCSPM 209-27	1 11/16	2.125	7.40	5.75	2.11	0.83	0.67	0.79	4.15	2.1220	0.7480	0.8425	1/2	5,923	3,507	SNC 209-27				
SNCSPM 209-28	1 3/4	54.0	188.0	146.0	53.5	21.0	17.0	20.0	105.5	53.9	19.0	21.4	M14	26.35	15.60	SNC 209-28				
SNCSPM 209	45																	SNC 209		
SNCSPM 210-30	1 7/8																	SNC 210-30	SPM 210	6.6 3.0
SNCSPM 210-31	1 15/16	2.250	8.00	6.25	2.34	0.98	0.79	0.88	4.43	2.2480	0.7480	0.9685	5/8	6,402	4,046	SNC 210-31				
SNCSPM 210	50	57.2	204.0	159.0	59.5	25.0	20.0	22.0	112.5	57.1	19.0	24.6	M16	28.48	18.00	SNC 210				
SNCSPM 210-32	2																	SNC 210-32		
SNCSPM 211-32	2																	SNC 211-32	SPM 211	8.5 3.9
SNCSPM 211-34	2 1/8	2.500	8.56	6.75	2.31	0.98	0.79	0.91	4.92	2.5905	0.8740	1.0906	5/8	7,931	5,036	SNC 211-34				
SNCSPM 211	55	63.5	217.5	171.0	59.0	25.0	20.0	23.0	125.0	65.8	22.2	27.7	M16	35.28	22.40	SNC 211				
SNCSPM 211-35	2 3/16																	SNC 211-35		
SNCSPM 212-36	2 1/4																	SNC 212-36	SPM 212	10.6 4.8
SNCSPM 212	60	2.750	9.41	7.25	2.72	0.98	0.79	0.98	5.35	2.8425	1.0000	1.2165	5/8	9,554	5,921	SNC 212				
SNCSPM 212-38	2 3/8	69.9	239.0	184.0	69.0	25.0	20.0	25.0	136.0	72.2	25.4	30.9	M16	42.50	26.34	SNC 212-38				
SNCSPM 212-39	2 7/16																	SNC 212-39		

MARINER®